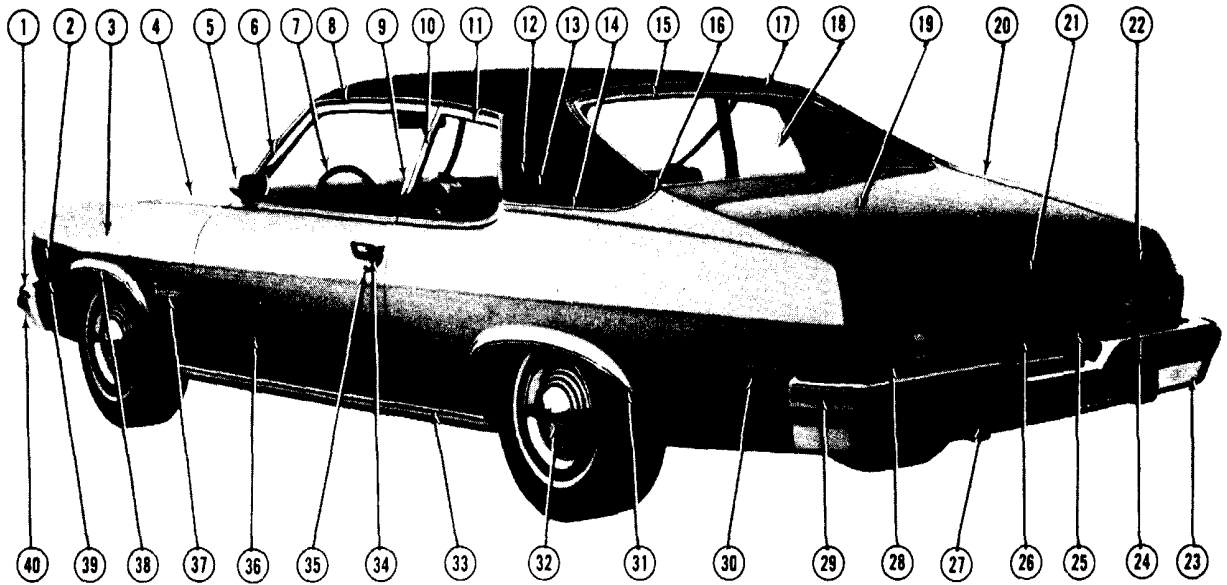


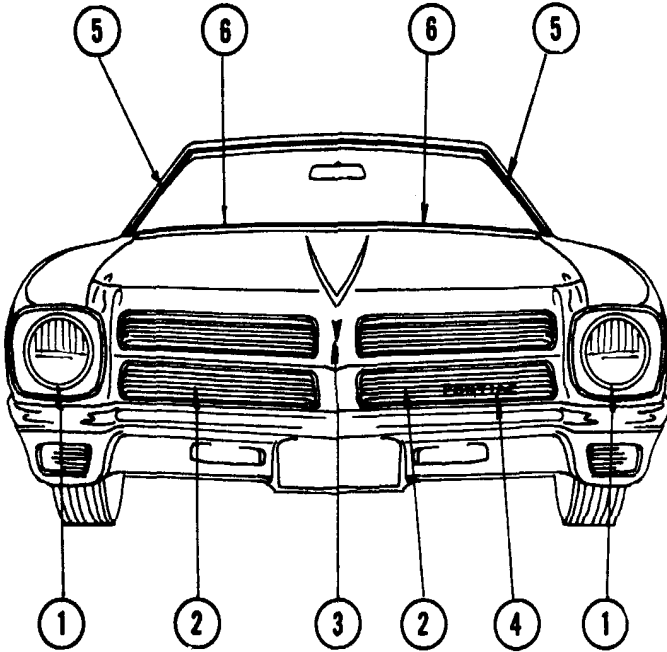
1973 2 DOOR COUPE--XZ27

Key	Description	Group
1	EMBLEM, Roof	12.812
2	MIRROR, Outside Rear View	10.185
3	MOLDING, Roof Drip	12.075
4	MOLDING, Windshield Lower Reveal	10.093
5	GRILLE, Shroud Top Vent	12.800
6	MOLDING, Windshield Upper & Side Reveal	10.093
7	MIRROR, Inside Rear View	10.185
8	BLADE, Windshield Wiper	10.146
9	RESTRAINT, Front Seat Back Head	14.924
10	WHEEL, Steering	6.513
11	ROD, Windshield Wiper	10.147
12	PANEL, Hood	8.000
13	PANEL, Grille & Headlamp Mounting	1.266
14	FENDER, Front	8.130
15	SEALED BEAM UNIT, Headlamp	2.727
16	BUMPER, Front	7.831
17	LAMP, Parking & Signal	2.585
18	PLATE PKG., Grille Name - "Pontiac"	1.303
19	INSERT, Front Bumper Guard	7.828
20	PANEL, Front Bumper Closeout	7.831
21	EMBLEM PKG., Panel	1.303
22	GUARD, Front Bumper	7.828
23	GRILLE, Radiator (Sprint)	1.266
24	BEZEL PKG., Grille (Sprint)	1.266
25	BEZEL, Headlamp	2.728
26	INSERT, Front Bumper Rub	7.831
27	BEZEL, Front Side Marker Lamp	2.575
28	STRIPE PKG., Complete	8.132
29	PLATE PKG., Fender Name - "Ventura"	8.147
30	DOOR ASM., Front	10.351
31	HANDLE, Front Door Outside	10.527
32	STRIPE PKG., Quarter Name - "Sprint"	12.116
33	INSERT, Rear Bumper Rub	7.831

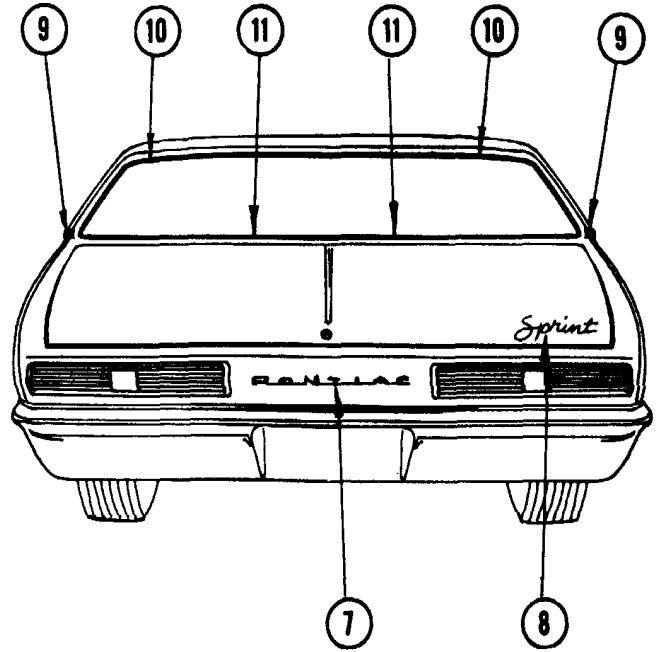


1974 VENTURA HATCHBACK COUPE—XZ-17

Key	Part Name	Group No.
1	BUMPER, Front	7.831
2	LAMP, Front Side Marker	2.575
3	FENDER, Front	8.130
4	PANEL, Hood	8.000
5	MIRROR, Outside Rear View	10.185
6	MOLDING, Door Upper Scalp	10.707
7	WHEEL, Steering	6.513
8	MOLDING, Roof Drip	12.075
9	MOLDING, Door Rear Vertical Scalp	10.707
10	MOLDING, Quarter Window Vertical Scalp	10.707
11	MOLDING, Quarter Window Upper Scalp	10.707
12	EMBLEM, Roof Crest	12.812
13	PLATE, Roof Name "Custom"	12.812
14	MOLDING, Rear Quarter Belt Reveal, Side	12.116
15	MOLDING, Back Window Reveal—Upper & Side	11.208
16	MOLDING, Rear Quarter Belt Reveal—Rear	12.116
17	MOLDING, Roof Panel—At Lid Opening	12.075
18	GLASS, Back Window	11.204
19	LID, Rear Compartment	12.181
20	PANEL, Rear Quarter Outer	12.940
21	CYLINDER KIT, Rear Compartment Lid	12.248
22	PLATE PKG., Lid Name "Hatchback"	12.182
23	BUMPER, Rear	7.831
24	PANEL, Rear Bumper Closeout (Color)	7.831
25	PANEL, Rear End	12.966
26	DOOR, Fuel Tank Filler	12.945
27	GUARD, Rear Bumper	7.828
28	LENS, Tail Lamp	2.682
29	STRIP, Rear Bumper Rub	7.831
30	BEZEL, Rear Side Marker Lamp	2.575
31	MOLDING PKG., Rear Wheel Opening	12.116
32	DISC, Wheel	5.858
33	MOLDING, Rocker Panel	8.304
34	HANDLE, Door Outside	10.527
35	CYLINDER KIT, Door Lock	10.550
36	PANEL, Door Outer	12.895
37	PLATE PKG., Front Fender Name "Ventura"	8.147
38	MOLDING PKG., Front Fender Wheel Opening	8.147
39	EMBLEM PKG., Front Fender—"350"	8.132
40	BUMPER, Front	7.831



FRONT VIEW

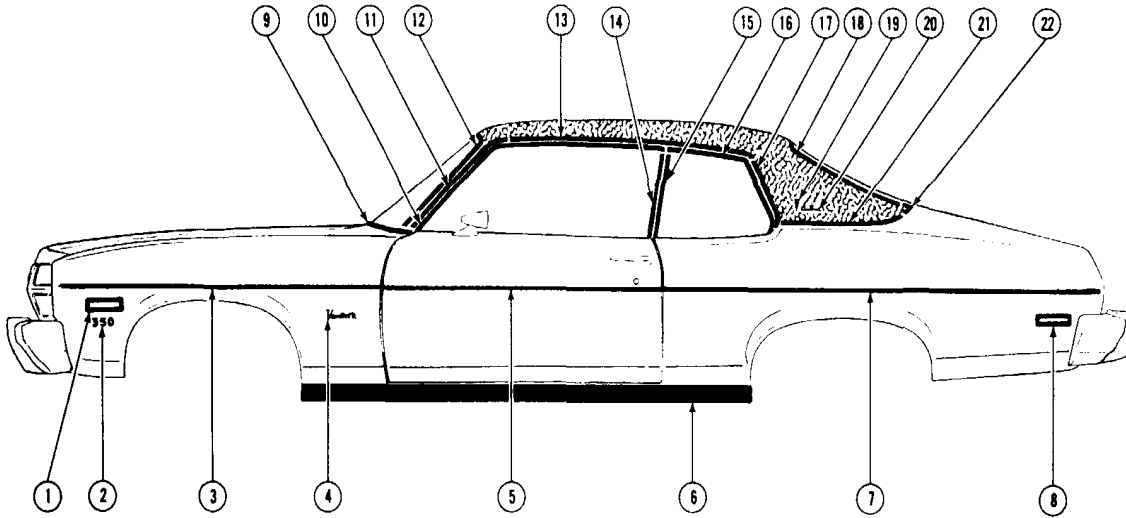


REAR VIEW

1971-72

Key	Description	Part No.	Qty.	Group
1	Bezel	486559	2	2.728
2	Grille—Right	484428-9	1	1.266
3	Emblem	485603	1	1.303
4	Emblem, "Pontiac"	485602	1	1.303
5	Moulding, (-27).....	7738570-1	1	10.093
	(-69).....	7722901-2	1	10.093
6	Moulding	8780430-1	1	10.093
7	Plate, 'Pontiac"	8705560	2	12.182

Key	Description	Part No.	Qty.	Group
8	Decal, "Sprint"			
	—White	485934	1	12.182
	—Black	485935	1	12.182
	—Gold	485936	1	12.182
9	Moulding	3940512-1	1	12.116
10	Moulding, (-27).....	7741472-3	1	11.208
	(-69).....	7722526-7	1	11.208
11	Moulding-1971	8775865-6	1	11.208
	-1972	9891474-5	1	11.208


1973 2 DOOR HATCHBACK—XZ17 (350 ENGINE & CORDOVA TOP)

Key	Part Name	Part No.	Qty.	Group No.
1	BEZEL, Lamp	484317	2	2.575
2	EMBLEM PKG.,—"350"	3970546		8.147
3	MLDG. PKG., Fender	490309	2	8.132
	MLDG. (Adhesive) (2*)	493383	AR	8.132
4	PLATE PKG.—"Ventura"	491137	2	8.147
5	MLDG. (Adhesive) (1*)	490309	AR	8.132
	MLDG. (Adhesive) (2*)	493383	AR	8.132
6	MLDG. PKG., Rocker	231584	2	8.304
7	MLDG., Quarter (1*)	490309	AR	12.116
	MLDG. (Adhesive) (2*)	493383	AR	8.132
8	BEZEL, Lamp	484902	2	2.575
9	MLDG., W/S—Lower	8780430-31		10.093
10	MLDG., Scalp, Door—Upper	7734630-31		10.707
11	SCALP, Pillar Drip	7740281-82		12.075
12	MLDG., W/S—Upper and Side	7738570-71		10.093
13	SCALP. Roof—Front	9621533-34		12.075
14	MLDG., Scalp, Door—Rear	7736055-56		10.707
15	MLDG., Qtr. Wind.—Front	7783017-18		11.031
16	MLDG., Qtr. Wind.—Rear	9622703-04		11.031
17	SCALP, Roof—Rear	9668774-75		12.075
18	MLDG., Roof—At Opng.	9629628-29		12.075
19	EMBLEM, Roof—Crest	9861625	2	12.812
20	PLATE, "Custom"	9658006	2	12.812
21	MLDG., Belt—Front	9669686-87		12.116
22	MLDG., Belt—Rear	9629632-33		12.116

1* NOTE — 1st TYPE ADHESIVE MLDG.—SEE CATALOG (8.132) FOR IDENTIFICATION (83½" Long).

2* NOTE — 2nd TYPE ADHESIVE MLDG.—SEE CATALOG (8.132) FOR IDENTIFICATION (84" Long).